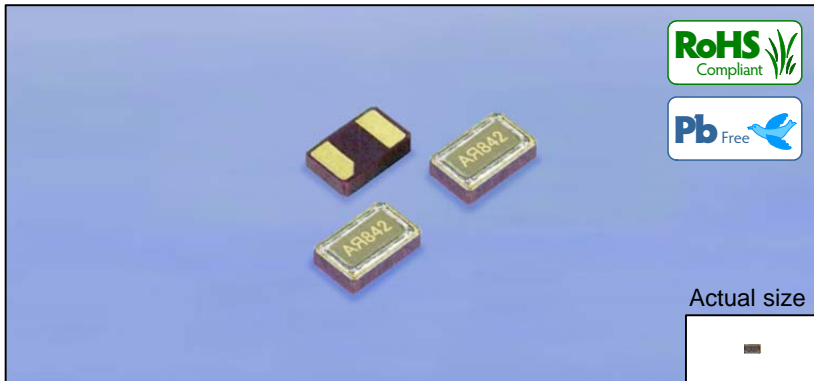


SURFACE MOUNT CRYSTAL TFX-03

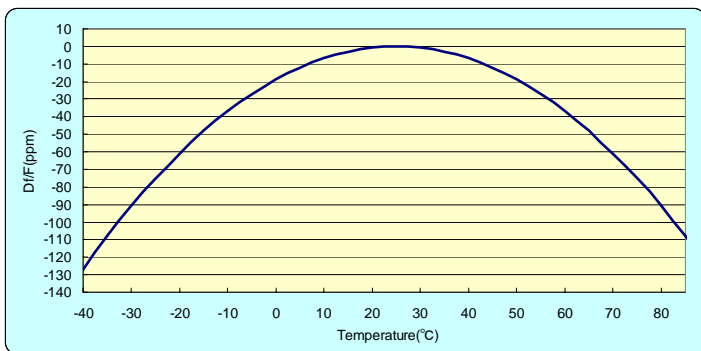
NEW PRODUCTS!



Specifications

Item	Standard specifications
Nominal frequency(kHz)	32.768
Frequency tolerance(ppm) (at 25°C)	±10, ±20, ±30, ±50, ±100
Storage temperature range(°C)	-55 to +125
Operating temperature range(°C)	-40 to +85
Turnover temperature(°C)	25±5
Parabolic coefficient(/°C ²)	-0.03±0.01 × 10 ⁻⁶
Motional resistance(ESR)(kΩ)	90 Max.
Motional capacitance(fF)	7.0 Typ.
Level of drive(μW)	0.5 Max.
Load capacitance(pF)	9.0, 12.5

An example of frequency vs temperature characteristic



- Please consult us for customized specifications.
- All specifications and markings subjected to change without notice.

RIVER

RIVER ELETEC CORPORATION

Head Office : 2-1-1 Fujimigaoka Nirasaki Yamanashi Japan
 Tokyo Office : 4-40-14 Nishishinjuku Shinjuku-ku Tokyo Japan
 Utsunomiya Office : Phone 81-28-625-7181 Fax 81-28-625-7159
 Osaka Office : Phone 81-6-6998-4888 Fax 81-6-6998-4899
 Nagoya Office : Phone 81-52-776-9531 Fax 81-52-776-9532

URL <http://www.river-ele.co.jp>

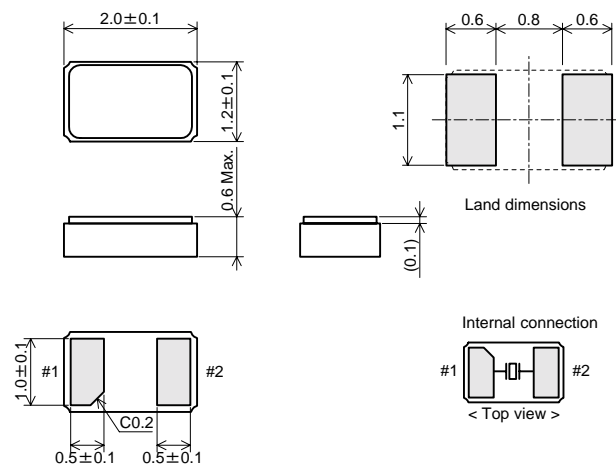
Phone 81-551-22-1211 Fax 81-551-22-6645
 Phone 81-3-3377-5444 Fax 81-3-3374-2865
 River Electronics (Singapore) Pte.Ltd : Phone 65-6258-7874 Fax 65-6258-7366
 (Shanghai Liaison Office) : Phone 86-21-64032210 Fax 86-21-64037412
 Taiwan River Co.,Ltd. : Phone 886-2-8988-2811 Fax 886-2-2983-4785

Features

- Compact design
(2.0mm×1.2mm×0.6mm Max., Weight 5.0mg).
- Ceramic package and metal lid assures extreme accuracy and high reliability by electron beam sealing.
- Lead-free soldering is available.
- Applications: Notebook PC, DSC, DVC, Mobile phone

Dimensions

Unit:mm



Taping

Unit:mm

