

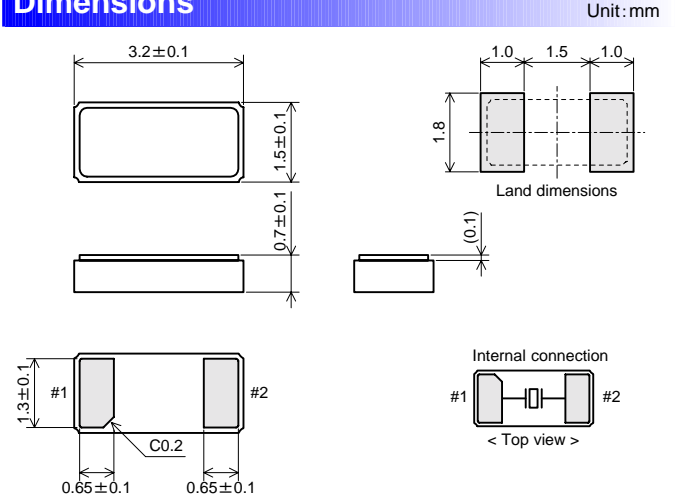
# SURFACE MOUNT CRYSTAL TFX-02



## Features

- Compact design (3.2mm×1.5mm×0.8mm Max., Weight : 12.4mg).
- Ceramic package and metal lid assures extreme accuracy and high reliability by electron beam sealing.
- Lead-free soldering is available.
- Applications : Laptop PC, DSC, DVC, Mobile phone

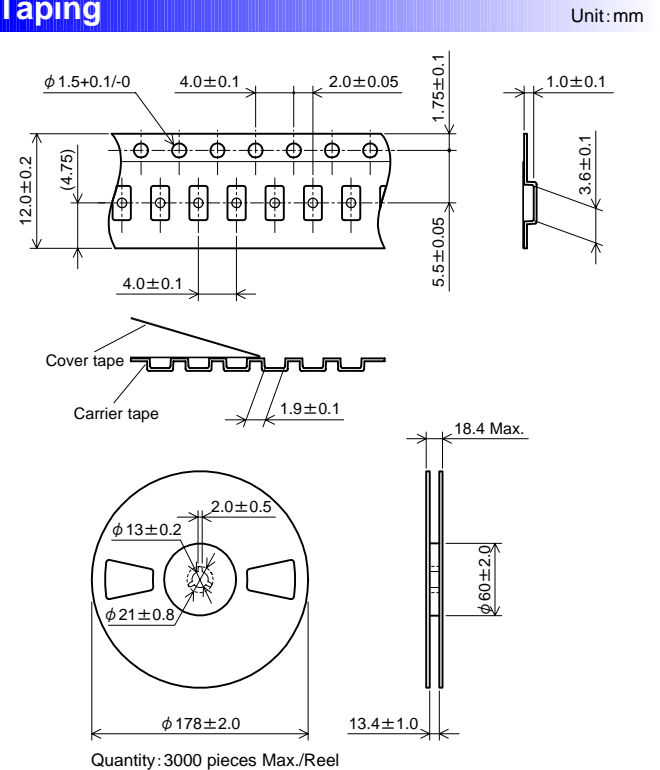
## Dimensions



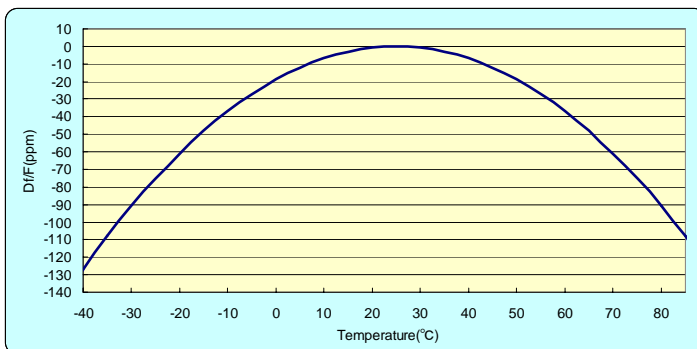
## Specifications

Item	Standard specifications
Nominal frequency(kHz)	32.768
Frequency tolerance(ppm) (at 25°C)	±10, ±20, ±30, ±50, ±100
Storage temperature range(°C)	-55 to +125
Operating temperature range(°C)	-40 to +85
Turnover temperature(°C)	25±5
Parabolic coefficient(/°C <sup>2</sup> )	-0.03±0.01 × 10 <sup>-6</sup>
Motional resistance(ESR)(kΩ)	70 Max.
Motional capacitance(fF)	3.5(Typ.)
Level of drive(μW)	0.5 Max.
Load capacitance(pF)	7.0, 9.0, 12.5

## Taping



## An example of frequency vs temperature characteristic



- Please consult us for customized specifications.
- All specifications and markings subjected to change without notice.

**RIVER** RIVER ELETec CORPORATION  
URL <http://www.river-ele.co.jp>

Head Office 2-1-1 Fujimigaoka Nirasaki Yamanashi Japan  
Phone 81-551-22-1211 Fax 81-551-22-6645  
Tokyo Office 4-40-14 Nishishinjuku Shinjuku-ku Tokyo Japan  
Phone 81-3-3377-5444 Fax 81-3-3374-2865  
Osaka Office Phone 81-6-6998-4888 Fax 81-6-6998-4899

River Electronics(Singapore)Pte.Ltd Phone 65-6258-7874 Fax 65-6258-7366  
Taiwan River Co.,Ltd. Phone 886-2-8988-2811 Fax 886-2-2983-4785  
Xi'an River Electronics Corporation Phone 86-29-88697274 Fax 86-29-88635134