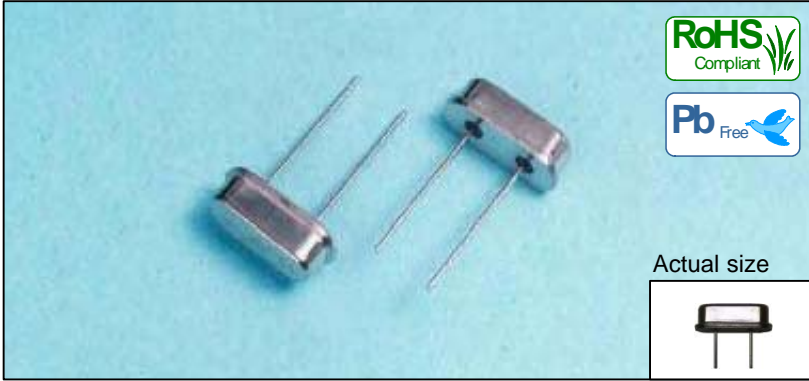


LEADED CRYSTAL HC-49/U03



Actual size

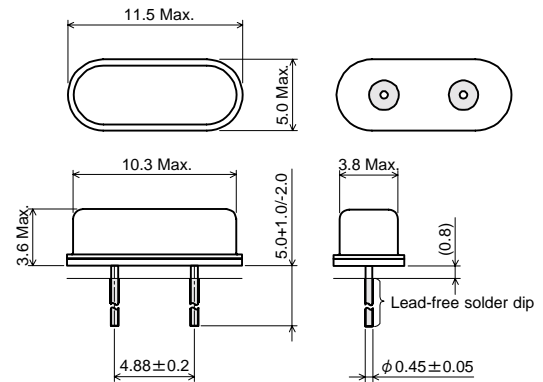


Features

- Compact design
(10.3mm×5.0mm×3.6mm Max., Weight : 0.54g).
- Metal package assures extreme accuracy and high reliability.
- Tape feeding is suitable for automatic mounting.
- Applications : Laptop PC, DSC, DVC

Dimensions

Unit : mm



Specifications

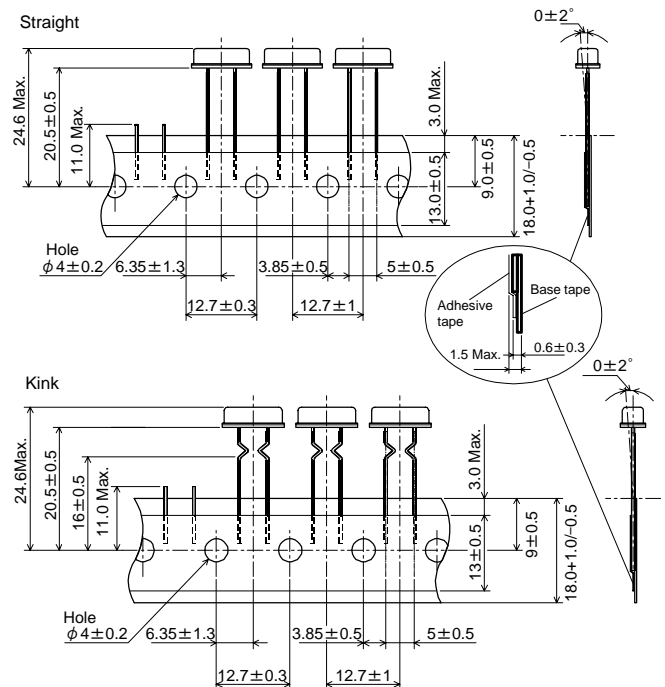
Item	Standard specifications		
Frequency range(MHz)	3.2 to 26.0		
Overtone order	Fundamental		
Frequency tolerance (ppm)(at 25°C)	±30, ±50, ±100		
Storage temperature range(°C)	-40 to +85		
Operating temperature range(°C)	0 to +50	-10 to +60	-20 to +70
Frequency versus temperature characteristics(ppm) (Refer to 25°C)	±30 ±50 ±100	±30 ±50 ±100	±30 ±50 ±100
Motional resistance (ESR)	As per below table		
Level of drive(μW)	500 Max.		
Load capacitance(pF)	8.0, 10.0		

Frequency(MHz)	Motional resistance(ESR)(Ω)
3.2 to 3.5	250 Max.
3.5 to 4.0	200 Max.
4.0 to 4.5	150 Max.
4.5 to 7.0	100 Max.
7.0 to 14.0	70 Max.
14.0 to 26.0	60 Max.

- Please consult us for customized specifications.
- All specifications and markings subjected to change without notice.

Taping

Unit : mm



Quantity: 1000 pieces Max./Box

RIVER RIVER ELETEC CORPORATION
URL <http://www.river-ele.co.jp>

Head Office 2-1-1 Fujimigaoka Nirasaki Yamanashi Japan
Phone 81-551-22-1211 Fax 81-551-22-6645
Tokyo Office 4-40-14 Nishishinjuku Shinjuku-ku Tokyo Japan
Phone 81-3-3377-5444 Fax 81-3-3374-2865
Osaka Office Phone 81-6-6998-4888 Fax 81-6-6998-4899

River Electronics(Singapore)Pte.Ltd Phone 65-6258-7874 Fax 65-6258-7366
Taiwan River Co.,Ltd. Phone 886-2-8988-2811 Fax 886-2-2983-4785
Xi'an River Electronics Corporation Phone 86-29-88697274 Fax 86-29-88635134