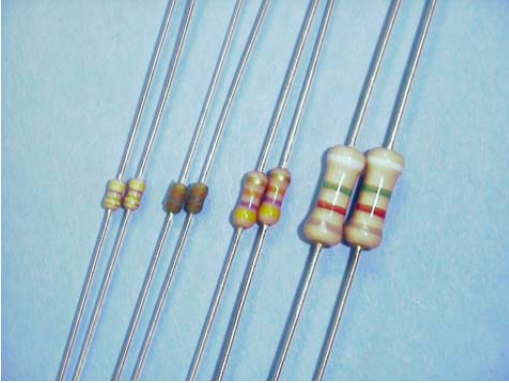


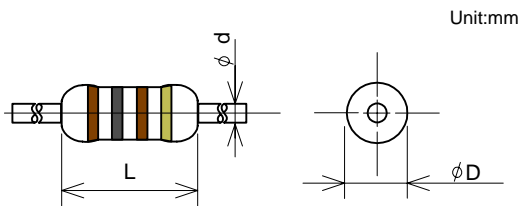
# Carbon film resistor



## Resistance Range

Model (series)	Resistance Range(W)						
	1	10	100	1k	10k	100k	1M 10M
FRD25 (E-24)	1	[Bar]					2.2M
RDS50 (E-24)	1	[Bar]					4.7M
RD1/2SPH (E-12)	10	[Bar]					10M
RDU25 (E-24)	1	[Bar]					100K

## Dimensions



Model	L	D	d
FRD25	3.2±0.2	1.7 <sup>+0.2</sup> <sub>-0.1</sub>	0.45±0.05
RDS50	6.5±0.5	2.4 <sup>+0.3</sup> <sub>-0.2</sub>	0.58±0.05
RD1/2SPH	10.5±0.5	MAX 4.5	0.58±0.05
RDU25	3.2 <sup>+0.3</sup> <sub>-0.2</sub>	1.8±0.3	0.45±0.05

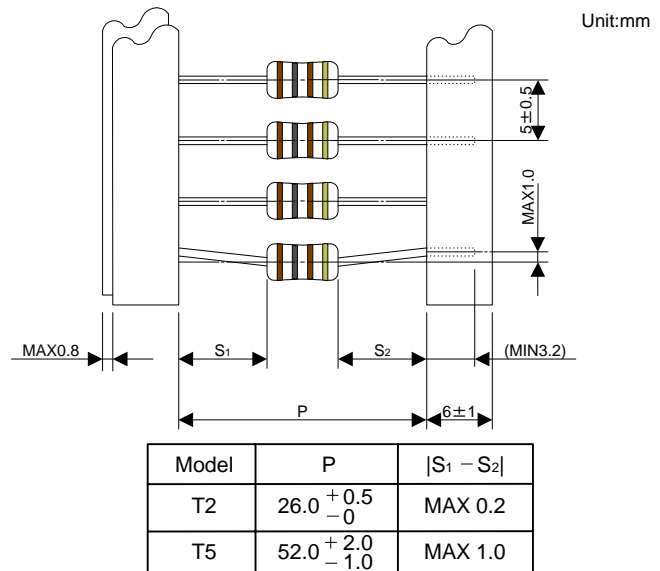
## Features

- FRD25, RDS50(General resistor)  
Using high conductive ceramic and excellent heat resistant coating accomplished small size high wattage and high reliability resistors.
- RD1/2SPH(Discharge path resistor)  
The resistance range 1MW or higher are approved as "discharge path resistor" by UL1676/C-UL(CSAC22.2 No.1-M94).  
And also meets IEC pub 65 14.1 a).
- RDU25(Non flammable resistor)  
This product series meets JIS c 5202 7.12,and suitable to be approved other standards.
- Corresponded to Lead Free  
Considering environmental impact,all our products are Lead Free.

## Rating

Model	Tolerance (symbol)	Rated power	Maximum operating voltage
FRD25	±5%(J)	0.25W	250V
RDS50	±5%(J)	0.50W	300V
RD1/2SPH	±10%(K)	0.50W	350V
RDU25	±5%(J)	0.25W	250V

## Taping



※Radial taping available for RDU25

**RIVER** RIVER ELETEC CORPORATION  
URL <http://www.river-ele.co.jp>

Head Office 2-1-1 Fujimigaoka Nirasaki Yamanashi Japan  
Phone 81-551-22-1211 Fax 81-551-22-6645  
Tokyo Office 4-40-14 Nishishinjuku Shinjuku-ku Tokyo Japan  
Phone 81-3-3377-5444 Fax 81-3-3374-2865  
Osaka Office Phone 81-6-6998-4888 Fax 81-6-6998-4899

River Electronics(Singapore)Pte.Ltd Phone 65-6258-7874 Fax 65-6258-7366  
Taiwan River Co.,Ltd. Phone 886-2-8988-2811 Fax 886-2-2983-4785  
Xi'an River Electronics Corporation Phone 86-29-88697274 Fax 86-29-88635134