

Crystal Unit

| | |
|------------------------------|----------------------|
| Product | FCX-06 |
| Model number | 16.000MHZ-J31933 |
| Nominal frequency | 16.000000 MHz |
| Overtone order [Cut] | Fundamental [AT-cut] |
| Load capacitance | 5 pF |
| Equivalent series resistance | 200Ω Max. |
| Frequency tolerance | ±50 ppm (@25°C) |

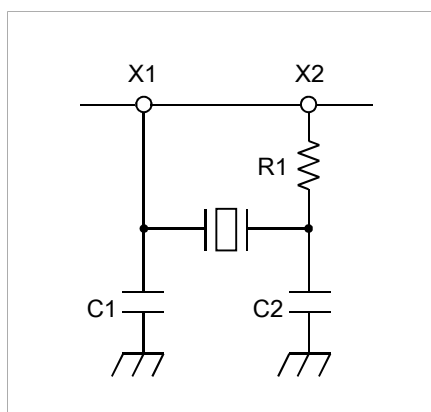
IC

| | |
|--------------|---------------------|
| Manufacturer | Renesas Electronics |
| Series | RL78/G1C |
| Model | R5F10Jxxx |

Recommended Condition for Stable Oscillation

| | |
|---------------------|-------------|
| Negative resistance | 1000Ω Min. |
| Drive level | 300 μW Max. |

Circuit Diagram



Evaluation Result

| R1 [Ω] | C1 [pF] | C2 [pF] | VDD [V] | Negative resistance [Ω] | Drive level [μW] | Frequency deviation [ppm] |
|--------|---------|---------|---------|-------------------------|------------------|---------------------------|
| 0 | 3 | 3 | +2.4 | 1290 | 70 | +5.8 |
| | | | +3.95 | 1290 | 70 | +5.9 |
| | | | +5.5 | 1290 | 70 | +6.4 |

* Ambient temperature: 25°C

RIVER

リバーエレクトック株式会社
RIVER ELETEC CORPORATION

<http://www.river-ele.co.jp/>

〒407-8502 山梨県韮崎市富士見ヶ丘2丁目1番11号
TEL(0551)22-1211(代) FAX(0551)22-6645

東京営業所
大阪営業所

River Electronics(Singapore)Pte.Ltd
Taiwan River Co.,Ltd.
Xi'an River Electronics Corporation
Shenzhen Liaison Office

TEL(03)3377-5444(代) FAX(03)3374-2865
TEL(06)6998-4888(代) FAX(06)6998-4899

TEL: +65-6258-7874 FAX: +65-6258-7366
TEL: +886-2-8988-2811 FAX: +886-2-2983-4785

TEL: +86-755-86528590 FAX: +86-755-86528590