

## Crystal Unit

Product	FCX-03
Model number	8.000MHZ-J31918
Nominal frequency	8.000000 MHz
Overtone order [Cut]	Fundamental [AT-cut]
Load capacitance	7 pF
Equivalent series resistance	500Ω Max.
Frequency tolerance	±50 ppm (@25°C)

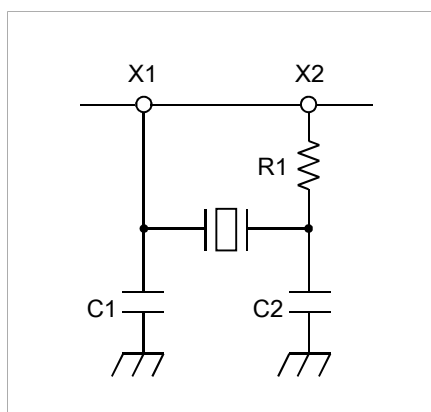
## IC

Manufacturer	Renesas Electronics
Series	RL78/G1C
Model	R5F10Jxxx

## Recommended Condition for Stable Oscillation

Negative resistance	2500Ω Min.
Drive level	500 μW Max.

## Circuit Diagram



## Evaluation Result

R1 [Ω]	C1 [pF]	C2 [pF]	VDD [V]	Negative resistance [Ω]	Drive level [μW]	Frequency deviation [ppm]
0	1	1	+2.4	3200	40	+62.0
			+3.95	3200	40	+62.1
			+5.5	3510	40	+63.0

\* Ambient temperature: 25°C

# RIVER

リバーエレクトック株式会社  
RIVER ELETEC CORPORATION

<http://www.river-ele.co.jp/>

〒407-8502 山梨県韮崎市富士見ヶ丘2丁目1番11号  
TEL(0551)22-1211(代) FAX(0551)22-6645

東京営業所  
大阪営業所

River Electronics(Singapore)Pte.Ltd  
Taiwan River Co.,Ltd.  
Xi'an River Electronics Corporation  
Shenzhen Liaison Office

TEL(03)3377-5444(代) FAX(03)3374-2865  
TEL(06)6998-4888(代) FAX(06)6998-4899

TEL: +65-6258-7874 FAX: +65-6258-7366  
TEL: +886-2-8988-2811 FAX: +886-2-2983-4785

TEL: +86-755-86528590 FAX: +86-755-86528590