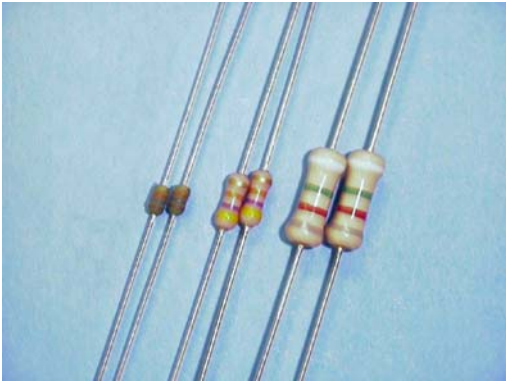


Carbon film resistor



Features

- RD1/2SPH(Discharge path resistor)
The resistance range 1MW or higher are approved as "discharge path resistor" by UL1676/C-UL(CSAC22.2 No.1-94). And also meets IEC pub 65 14.1 a).
- RDU25(Non flammable resistor)
This product series meets JIS c 5202 7.12,and suitable to be approved other standards.
- Corresponded to Lead Free
Considering environmental impact,all our products are Lead Free.

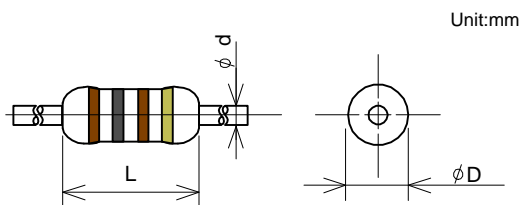
Resistance Range

Model (series)	Resistance Range(W)							
	1	10	100	1k	10k	100k	1M	10M
RDS50 (E-24)	1	[Bar chart from 1 to 4.7M]						4.7M
RD1/2SPH (E-12)	10	[Bar chart from 10 to 10M]						10M
RDU25 (E-24)	1	[Bar chart from 1 to 100K]						100K

Rating

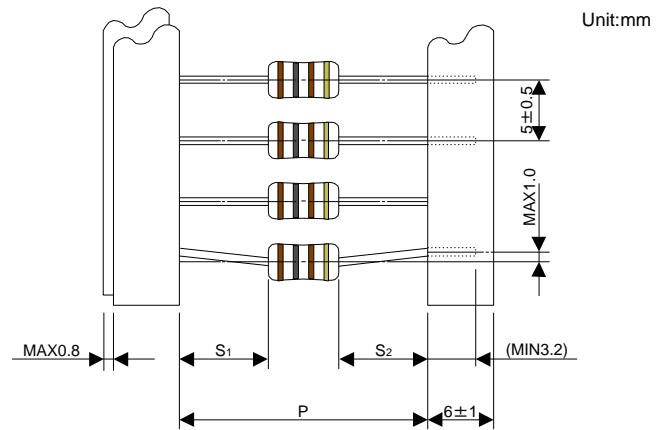
Model	Tolerance (symbol)	Rated power	Maximum operating voltage
RDS50	±5%(J)	0.50W	300V
RD1/2SPH	±10%(K)	0.50W	350V
RDU25	±5%(J)	0.25W	250V

Dimensions



Model	L	D	d
RDS50	6.5±0.5	2.4 ^{+0.3} _{-0.2}	0.58±0.05
RD1/2SPH	10.5±0.5	MAX 4.5	0.58±0.05
RDU25	3.2 ^{+0.3} _{-0.2}	1.8±0.3	0.45±0.05

Taping



Model	P	S ₁ - S ₂
T2	26.0 ^{+0.5} ₋₀	MAX 0.2
T5	52.0 ^{+2.0} _{-1.0}	MAX 1.0

※Radial taping available for RDU25

RIVER RIVER ELETec CORPORATION
URL <http://www.river-ele.co.jp>

Head Office 2-1-1 Fujimigaoka Nirasaki Yamanashi Japan
Phone 81-551-22-1211 Fax 81-551-22-6645
Tokyo Office 4-40-14 Nishishinjuku Shinjuku-ku Tokyo Japan
Phone 81-3-3377-5444 Fax 81-3-3374-2865
Osaka Office Phone 81-6-6998-4888 Fax 81-6-6998-4899

River Electronics(Singapore)Pte.Ltd Phone 65-6258-7874 Fax 65-6258-7366
Taiwan River Co.,Ltd. Phone 886-2-8988-2811 Fax 886-2-2983-4785
Xi'an River Electronics Corporation Phone 86-29-88697274 Fax 86-29-88635134